



*Sequentially Flashing LED Enhanced
Chevron Curve Warning Signs*

5
YEAR
WARRANTY

LED Enhanced Curve Warning Systems

**Autonomous Solar
or Hardwired AC**

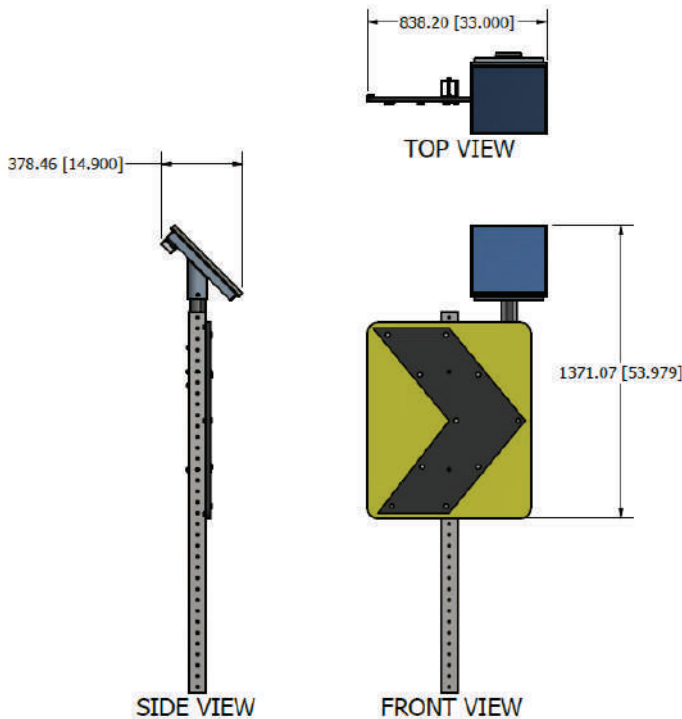


- Solar or AC power configuration
- Radar, Loop, or Sensor Activation
- Wireless Sign to Sign Communication

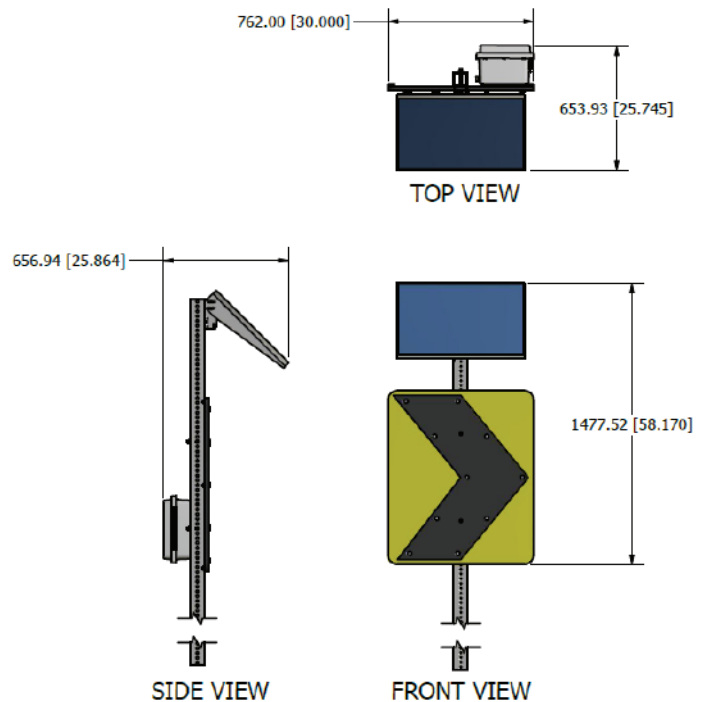
Flashing LED Enhanced Chevron Curve Warning Signs are designed to increase driver awareness, reduce in-curve speeds, and prevent lane departure crashes. They are compliant with the MUTCD standards and can be powered by solar or AC power

SPECIFICATIONS

LED Enhanced Curve Warning Systems



20W solar panel option



50W solar panel option

Units are shown as mm [in.]

OVERVIEW

The LaneLight LED-Enhanced W1-8 Curve Warning Sign provides effective notification to drivers of an impending curve. Multiple high visibility LED-enhanced chevron signs can be connected in a wired or wireless network. DC/solar and AC power options are available, and the system can be configured to run 24/7 or utilize a radar, loop or other sensor to activate the system.

SPECIFICATIONS

Sign Size(s)	762 x 914.40 mm [30 x 36 in.] 914.40 x 1219.20 mm [36 x 48 in.]
Reflective Sheeting	3M™ Diamond Grade™ DG with anti-graffiti overlay
MUTCD Compliance	Section 2A.07 Retroreflectivity and Illumination
Color	Diamond Grade Amber background/Black chevrons

SPECIFICATIONS (CONTINUED)

Mounting	Standard traffic sign 7/16 in. hardware
LED Size	25mm [1 in.]
LED Number	10 per sign
LED Colour	Amber
LED Brightness	48 lm per LED
LED Beam Angle	9°
Power Supply	Wireless DC solar, 20W and 50W panel options DC (with remote solar) and AC wired options available
Activation	24/7 or optional radar, loop or sensor activation
Warranty	5 year limited warranty for defects in manufacturing, factory assembly and materials only; excludes batteries and damage caused by vehicles or vandalism

