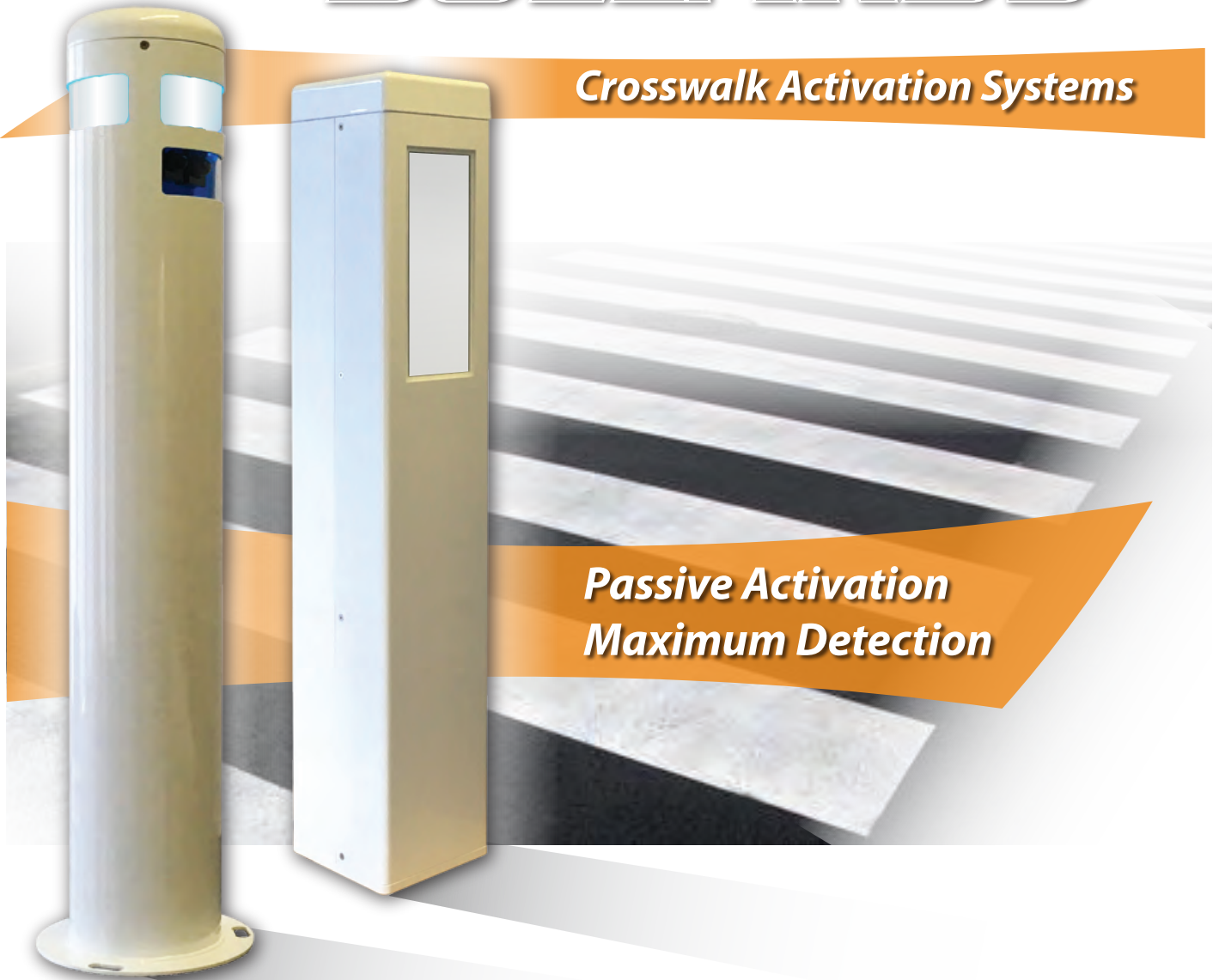


Passive Activation **BOLLARDS**

Crosswalk Activation Systems



*Passive Activation
Maximum Detection*

SPECIFICATIONS

Sensors

Certification	CE and UL certified electrical components
Setup	Two bollards using modulated infrared light
Configuration	Infrared through beam 1 x transmitter bollard (T) 1 x receiver bollard (R)
Detection	Maximum object speed 9.1 ft/s [2.8 m/s] Uni-directional or bi-directional travel
Operating Temperature	-40°F to +165°F [-40°C to +74°C]
Power Supply	10-30VDC
Power Usage	1W (transmitter)
Output	SPST, Form A or B Solid state relay, 60V/400mA
Range	Up to 50 ft. [15.25m]
Wiring	Four conductor cable for DC power, contact, and light control (optional)

Bollards

Dimensions	See Figure 4 and Figure 5
Weight	Square bollards 30 lbs. [14kg] Round bollards 20 lbs. [9kg]
Material	Aluminum
Finish	White powder coat, custom colors available
Lens	UV stable polycarbonate, abrasion resistance Frosted (standard) or clear (extended detection range)

LED Illumination Module (Optional)

LED Colour	Cool white, 7500 K
Light Output	Diffused 132 Lux/ft at 120°
Power Supply	10-30VDC
Power Usage	0.6W – 3W field adjustable

Warranty

LaneLight limited warranty	5 year limited warranty for defects in manufacturing, factory assembly and materials only; excludes batteries and damage caused by vehicles or vandalism
----------------------------	--

CONTACT INFORMATION

To order, or for more information, contact ITEM/LaneLight:

Unit 16 – 755 Vanalman Avenue
Victoria, BC V8Z 3B8 Canada
Toll-Free: 1-866-466-4836
Fax: 250-381-4830
info@lanelight.com
www.lanelight.com

DIMENSIONS

Figure 4: Square bollard, typical dimensions

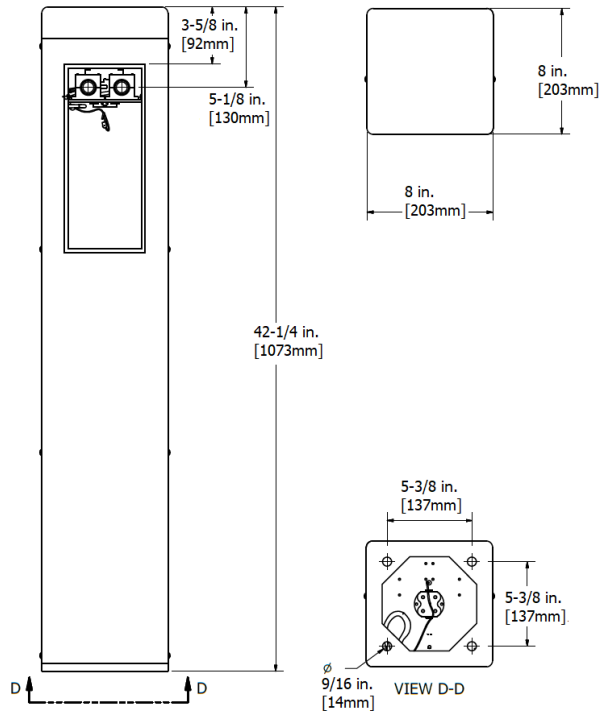


Figure 5: Round bollard, typical dimensions

